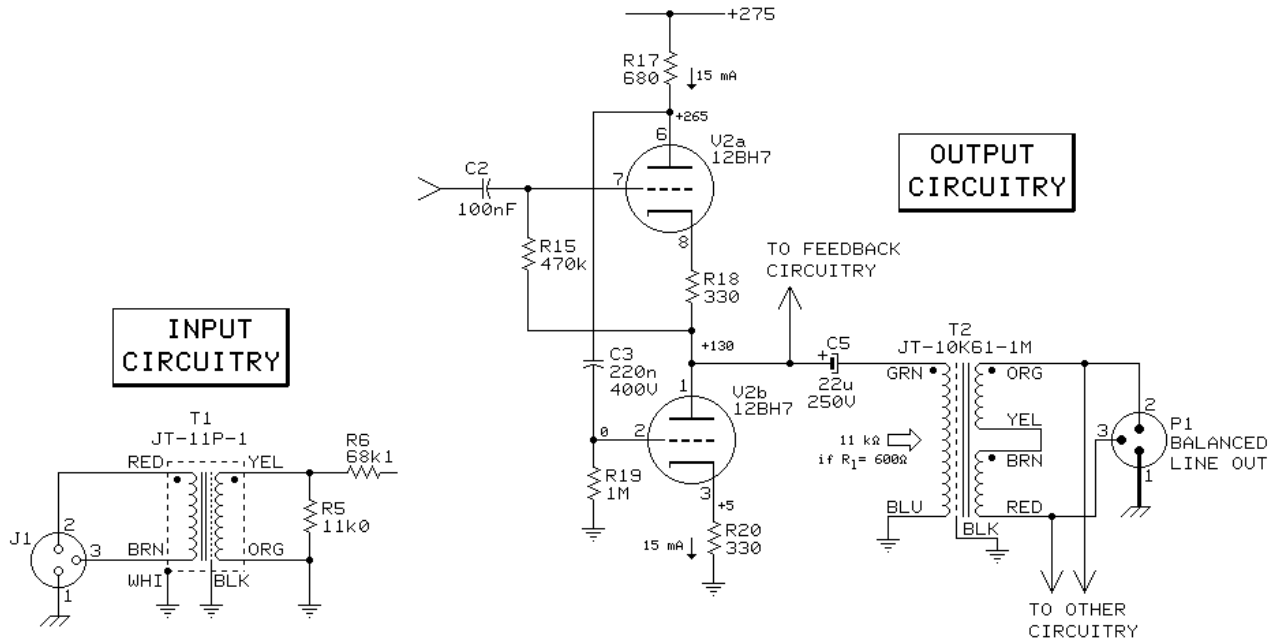


# JT-11P-1/JT-10K61-1M LA2A CIRCUITRY MODIFICATIONS



NOTE: PART NUMBERS CORRESPOND TO CIRCUIT AS PUBLISHED IN "AUDIO CYCLOPEDIA"

© COPYRIGHT 2000, JENSEN TRANSFORMERS, INC.

<b>jensen</b>	AS091
	02/17/00
7135 HAYVENHURST AVE. VAN NUYS, CALIFORNIA 91406 (818) 374-5857	